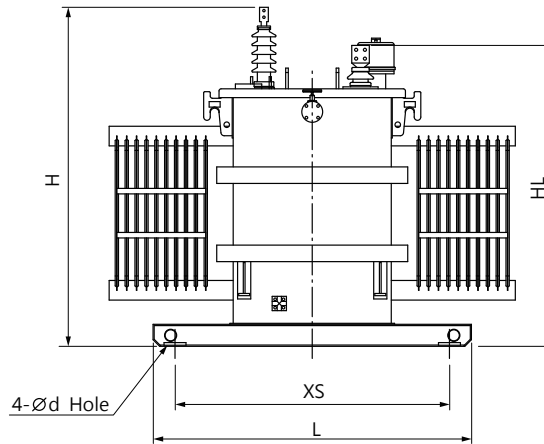
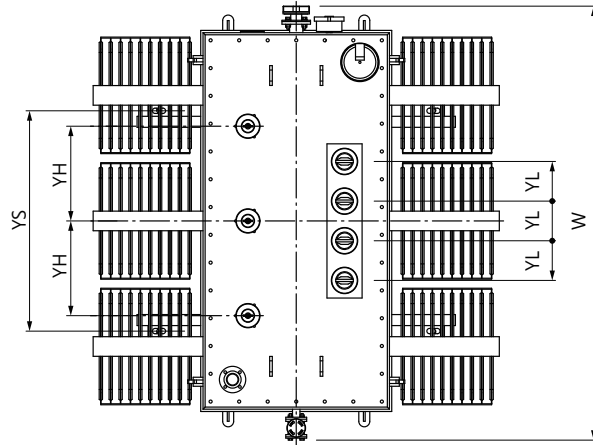
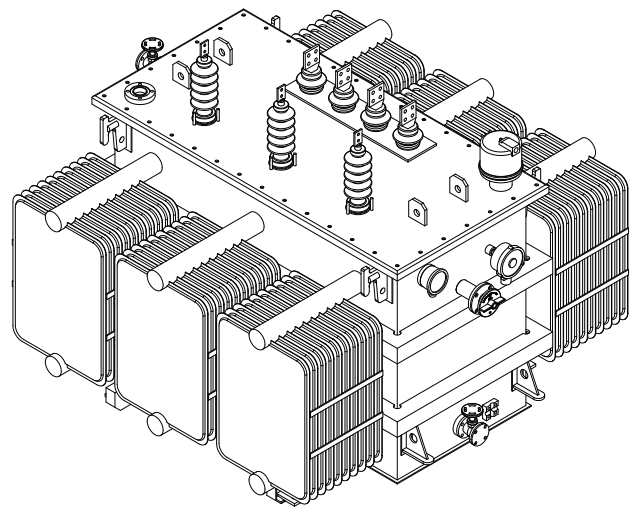


3Ø33kV

Oil Immersed Transformer

Technical Data

| | |
|-------------------------------|------------------------------|
| Applicable Standards | AS2374 |
| Frequency | 50Hz |
| Insulation Class | A |
| Oil/Winding Temperature Level | 55°C |
| Rated Voltage & Connection | HV 33kV Delta LV 415V Wye |
| Average Sound Level | NEMA TR1 |



Technical Data & Dimensions

| Rated Voltage | Phase NO. | Rating (kVA) | Standard | | | | | | | | | | | | | | | Terminal | | |
|---------------|-----------|--------------|---------------------------|----------------|---------------|---------------|------|------|------|-------------------------|------|----|----------------------|-----|-----|-----|---------|-------------|------|------|
| | | | Efficiencies (PF=1.0) (%) | Total Loss (W) | Impedance (%) | Dimension(mm) | | | | Foundation Distance(mm) | | | Bushing distance(mm) | | | | Oil (l) | Weight (kg) | HV | LV |
| | | | | | | L | W | H | HL | XS | YS | d | XH | XL | YH | YL | | | | |
| 33kV | 3 | 500 | 98.56 | 7300 | 4.5~5.5 | 1640 | 1850 | 1930 | 1370 | 1000 | 900 | 24 | 220 | 220 | 430 | 180 | 885 | 3100 | NO.1 | NO.2 |
| | | 630 | 98.66 | 8530 | 4.5~5.5 | 1750 | 1980 | 1930 | 1370 | 1100 | 1000 | 24 | 220 | 220 | 430 | 180 | 985 | 3500 | | NO.3 |
| | | 800 | 98.75 | 10100 | 5~6 | 2070 | 2150 | 1930 | 1370 | 1200 | 1100 | 24 | 220 | 220 | 430 | 180 | 1070 | 4000 | | |
| | | 1000 | 98.78 | 12300 | 5~6 | 2160 | 2350 | 2030 | 1470 | 1200 | 1200 | 24 | 220 | 220 | 430 | 180 | 1330 | 4800 | NO.4 | |
| | | 1250 | 98.82 | 14900 | 5~6 | 2360 | 2450 | 2040 | 1480 | 1300 | 1300 | 24 | 220 | 220 | 430 | 180 | 1479 | 5400 | | NO.5 |
| | | 1600 | 98.73 | 20500 | 5~6 | 2460 | 2380 | 2240 | 1710 | 1400 | 1200 | 24 | 220 | 220 | 430 | 180 | 1660 | 6200 | NO.6 | |
| | | 2000 | 98.79 | 24420 | 5~6 | 2730 | 2480 | 2240 | 1710 | 1500 | 1300 | 24 | 220 | 220 | 430 | 180 | 1760 | 7200 | | NO.6 |
| | | 2500 | 98.86 | 28800 | 5~6 | 2920 | 2650 | 2240 | 1880 | 1300 | 1400 | 24 | 240 | 240 | 430 | 200 | 2110 | 8400 | NO.6 | |
| | | 3150 | 98.90 | 35150 | 5.5~6.5 | 2970 | 2550 | 2820 | 2360 | 1450 | 1500 | 24 | 240 | 240 | 430 | 240 | 2690 | 10700 | | NO.6 |



FORTUNE ELECTRIC CO., LTD.